

## Content

CT-7220 Power Supply Extension Module 5V/2A (requires no configuration)	
.....	2
1 Module features .....	2
2 Technical Parameters .....	2
3 Hardware Interface.....	3
4 Wiring .....	6
5 Process data definition.....	7
6 Configuration parameters definition .....	7
A DIMENSION .....	8

# CT-7220 Power Supply Extension Module 5V/2A

(requires no configuration)

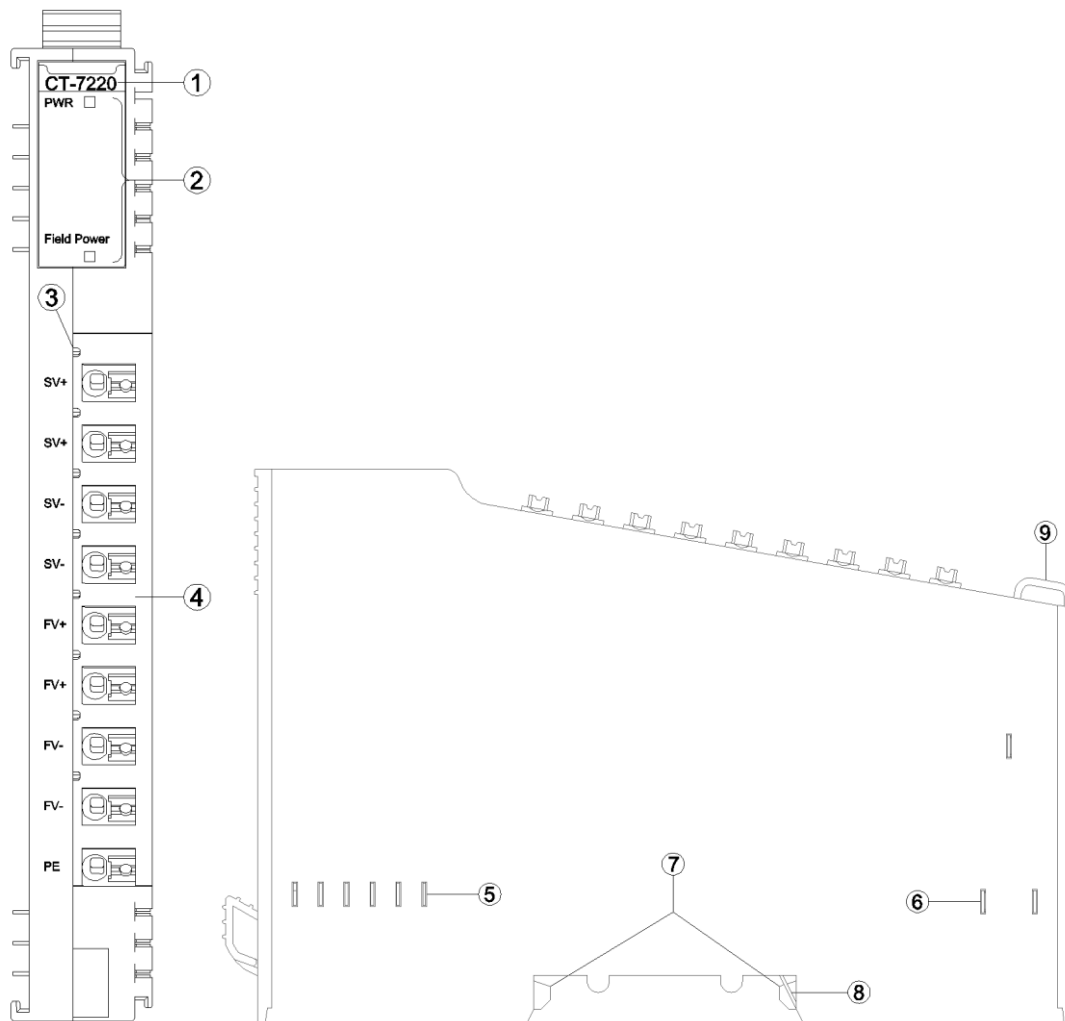
## 1 Module features

- ◆ System Power and Field Power Extension
- ◆ System Power Output 2A@5VDC
- ◆ Field Power Extension 8A Current
- ◆ Requires no configuration and occupies no slot in configuration.

## 2 Technical Parameters

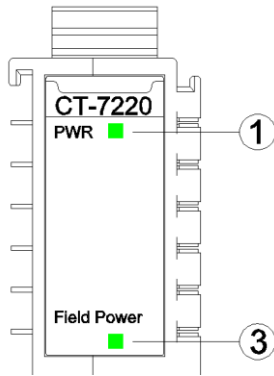
General parameters	
System Power	Nominal: 24Vdc, Range: 9-36Vdc Protection: overcurrent protection, anti-reverse connection protection
Internal Bus Supply Current	Max: 2.0A@5VDC
Isolation	System Power to Field Power Isolation
Field Power	Power Supply: 22~28V (Nominal: 24Vdc) Protection: anti-reverse connection protection
Field Power Supply Current	Max. DC 8A
Environment Specification	
Operational Temperature	-40~85°C
Operational Humidity	5%~95% RH(No Condensation)
Protection Class	IP20

### 3 Hardware Interface



- ① Module Type
- ② State indicator
- ③ N/A
- ④ Wiring Terminal and identification
- ⑤ Internal Bus
- ⑥ Field Power
- ⑦ Buckle
- ⑧ Grounding Resilient Sheet
- ⑨ Fixed Wiring Harness

### 3.1 LED indicator definition



- ① System Power LED Indicator (green)
- ③ Field Power LED Indicator (green)

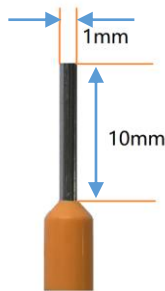
PWR Power LED Indicator (GREEN)	Definition
ON	The system power supply is normal.
OFF	The system power supply is failure.
Field Power LED Indicator ( GREEN )	Definition
ON	The field power supply is normal.
OFF	The field power supply is failure.

### 3.2 Terminal definition

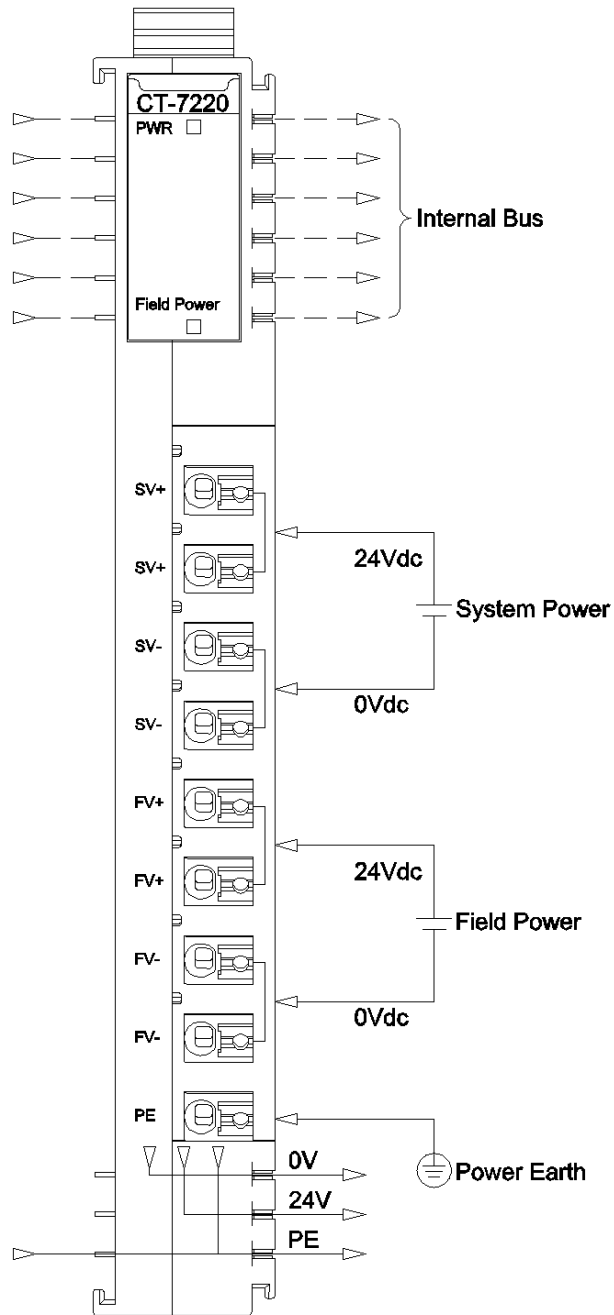
Terminal Number	Definition	Description
1	SV+	System Power Positive Pole
2	SV+	
3	SV-	System Power Negative Pole
4	SV-	
5	FV+	Field Power Positive Pole
6	FV+	
7	FV-	Field Power Negative Pole
8	FV-	
9	PE	System Grounded

It is recommended to use cables with cores smaller than 1mm<sup>2</sup>.

The cold-pressed terminal parameters are as follows:



## 4 Wiring



## **5 Process data definition**

No process data.

## **6 Configuration parameters definition**

No configuration parameter.

## A DIMENSION

